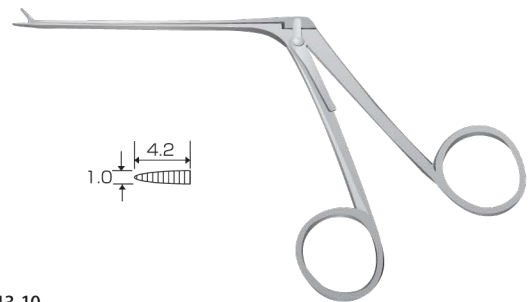


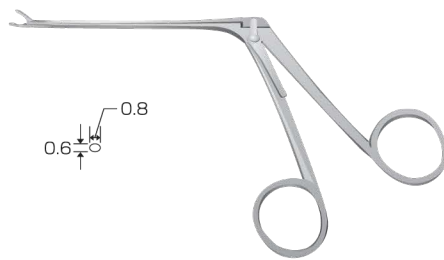
52-119-50
SuperMicro ear forceps, serrated, 0.6 x 2.0 mm, effective length 75 mm



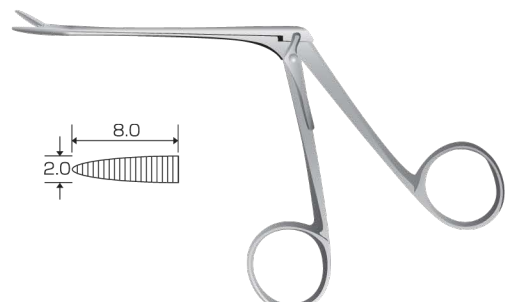
52-119-80
SuperMicro ear forceps, malleus nipper, 0.8 x 2.0 mm, effective length 75 mm



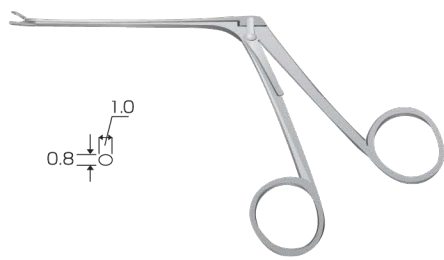
52-113-10
Ear forceps, serrated, straight, 1.0 x 4.2 mm, effective length 75 mm



52-119-60
SuperMicro ear forceps, oval cupped jaws 0.6 x 0.8 mm, effective length 75 mm



50-981-00
Hartmann ear forceps, serrated, open-close tip type



52-111-10
Micro ear forceps, oval cupped jaws 0.8 x 1.0 mm, effective length 75 mm



52-116-10
Shea ear forceps, scissors, straight, blade length 6.0 mm, effective length 75 mm



ControMed

**Instrument Set for
Tympanoplasty**

ControMed

POX-BOX: 1056, 26 Walnut Road,

Melbourne, VIC 3104, Australia

Tel : +61 4 3074 2079

Fax: +61 3 9891 7050

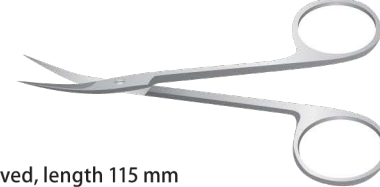
Website: www.contromed.com



51-241-30
Volkman retractor, 3 prongs, blunt



50-908-14
Tissue forceps, hook, tip width 0.6 mm, length 130 mm



51-460-20
Scissors, curved, length 115 mm



52-434-00
Pick, small, right, length 180 mm



51-191-00
Lempert ear speculum, for inner ear, nasal speculum type



50-905-20
Dissecting forceps, for surgical, hook, tip width 1.5 mm, length 130 mm



51-460-10
Scissors, straight, length 115 mm



52-435-00
Pick, small, left, length 180 mm



50-302-30
Asagao ear speculum, inner diameter 4.0 mm, brass



50-908-13
Tissue forceps, no hook, tip width 0.6 mm, length 130 mm



51-420-40
Round knife, straight, diameter 2.5 mm



52-500-60
Sickle knife for stapedius muscle



51-290-10
Langenbeck periosteum raspator, width 6.5 mm



50-905-10
Dissecting forceps, for surgical, no hook, tip width 1.5 mm, length 130 mm



51-421-10
Round knife, 45° curved, diameter 1.0 mm



52-147-03
Rosen probe, 90°, tip length 0.3 mm



51-300-00
Langenbeck periosteal elevator



50-900-10
Lucae ear forceps, no hook



52-432-00
Pick, medium, right, length 180 mm



52-147-06
Rosen probe, 90°, tip length 0.6 mm



52-278-20
Wullstein raspator, curved



52-433-00
Pick, medium, left, length 180 mm



52-147-40
Rosen probe, 90°, tip length 1.0 mm